

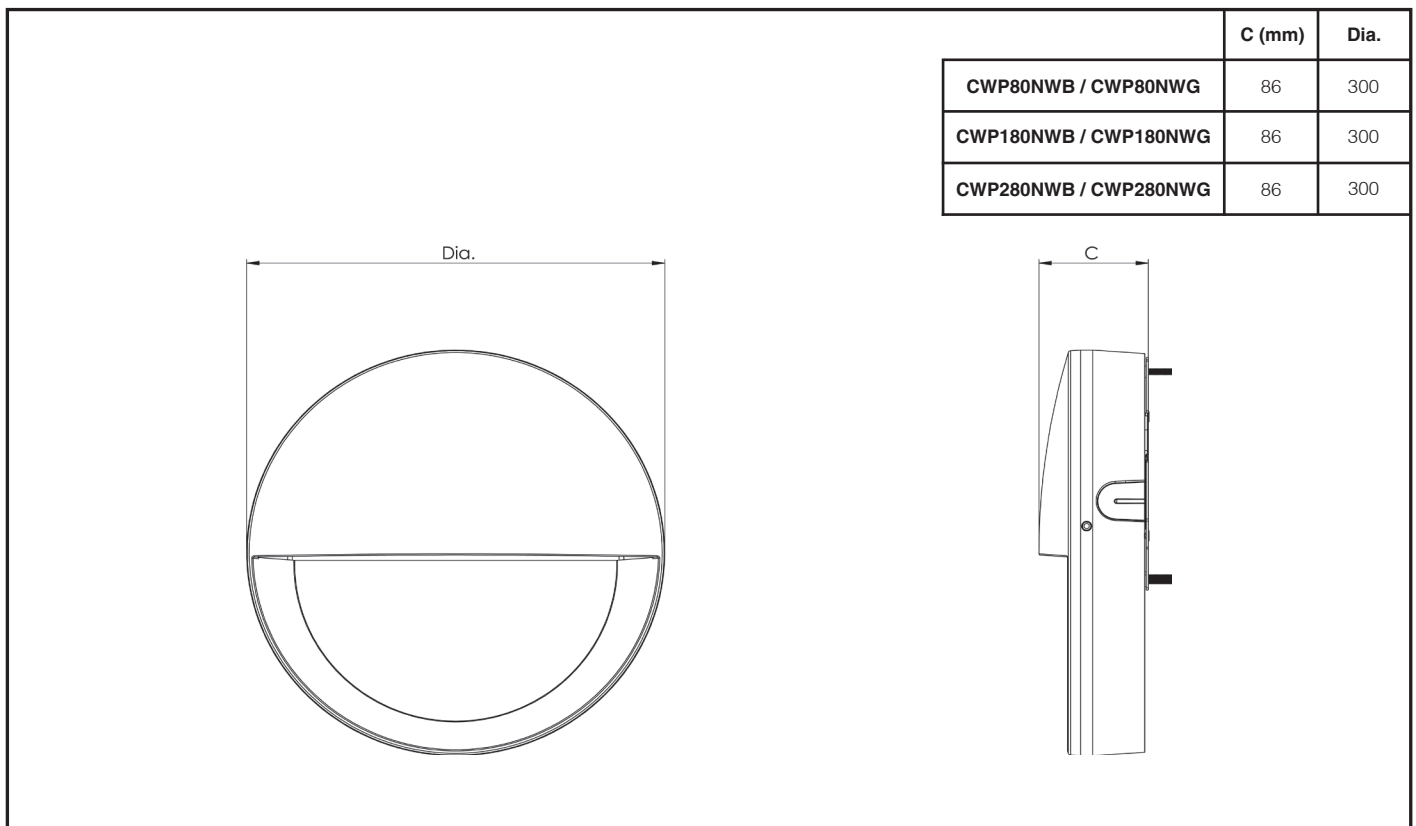
Product Name: CITY WP

General information

- This luminaire must be installed in accordance with the latest edition of the IET Wiring Regulations and local Building Regulation by a qualified competent person.
- The mains power supply must be turned off before inspection, installation or removal of the luminaire, ensuring that the supply is locked off to prevent inadvertently switching the supply on.
- It is the installer's responsibility to ensure that the installation is suitable for the total load of the luminaire(s). The supply cable fuses/circuit breakers must be correctly rated for the electrical load and taking into account for any transient inrush currents that may occur.
- It is the installer's responsibility to ensure that the environmental operating and storage conditions are complied with and that any fire risks are considered.
- Do not perform insulation strength or insulation resistance tests on the installation with the luminaire(s) connected, this can damage the luminaires and give erroneous readings.
- Do not loop-in supply cables at the luminaire supply terminals unless there is provision for 2-way connection at the terminals.
- The light source contained in this luminaire must only be replaced by TamLite Lighting or an appointed service agent.
- Emergency lighting luminaires must be installed and maintained in accordance with the emergency lighting standard BS 5266-1.
- To ensure that the product warranty remains valid, the luminaire must be installed and maintained in accordance with these installation instructions and the product must not be modified in any way.

- Luminaires marked with this symbol must not be covered with thermally insulating material.
- This symbol on covers over light sources indicates dangerous live parts do not operate the luminaire with this cover removed.

Dimensions



Product Name: CITY WP

<p>1</p> <p>Remove the three grub screws which secure the front cover.</p>	<p>2</p> <p>Attach the mounting plate to the luminaire enclosure with the provided screws.</p>
<p>3</p> <p>Attach the mounting plate to the mounting surface with appropriate hardware.</p>	<p>4</p> <p>Bring supply cable in to the luminaire enclosure via the cable gland.</p>
<p>5</p> <p>Terminations shown for standard and emergency variants.</p>	<p>6</p> <p>Terminations shown for DALI dimmable and DALI emergency variants.</p>
<p>7</p> <p>Replace front cover on to luminaire.</p>	<p>8</p> <p>Tighten the three grub screws to secure the front cover.</p>

Page 2 of 2

Tamlite Technical
Stafford Park 12,
Telford, Shropshire,
TF3 3BJ

+44(0)1952 292441
technical@tamlite.co.uk
Document No: V2

			220-240V 50/60Hz		IP65	IK08	ta -20°C to 25°C 5°C to 25°C for M3 variants
--	--	--	---------------------	--	------	------	---